

**Product: SQUARE AND RECTANGULAR MEETING TABLE**

The distinctive element of *More* table is the bearing structure consisting of metal legs connected to the horizontal profiles by a fluid and balanced arch.

22 mm thick tops are framed, flush with structure and available in different finishes and dimensions.

It is an eclectic square or rectangular table which can be used as desk, home table, meeting table, high table, island for coffee compositions, reception, coffee table or console.

*More* desk is available in various heights and dimensions; one of the main features is the easy wire system.



**TECHNICAL FEATURES**

**Top:** tops are 22 mm thick, flush with structure, in laminate, veneer, etched extra light glass, clear glass or ceramic.

**Top profiles:** Aluminium profiles, connected to the legs, create a structure that is independent from the top. They are in Luxury metal or epoxy powder coated.

**Legs:** legs are in luxury metal or epoxy powder coated, with regulation feet.

**FINISHES**

**Top:**

**Laminate:** White Snow, Oak, White Fenix.

**Sablè lacquered,** available in different sample collection colours.

**Veneer:** Magnolia, Colour White Fir, Nuvola stained Oak, Natural Oak 2016, American Walnut, Eucalyptus, Wengè, Zebrano Brown, Ebano.

**Back-lacquered etched glass:** White, Silver, Titanio, Brown, Alfa Red.

**Clear glass.**

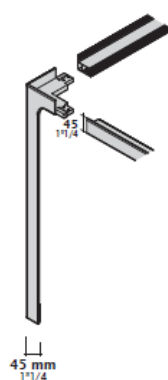
**Ceramic:** Calacatta Soft, Calacatta Glossy, Statuario Soft, Statuario Glossy, Walks 1.0 White, Walks 1.0 Gray, Le Roche Ecrù, Ardoise Ecrù, Ardoise Noir, Nero Marquinia, Le Roche Grey, Industrial Ivory, Industrial Plomb.

**Legs:**

**Varnished Aluminium:** glossy UE White, matt or glossy White Snow, matt Titanio, matt Carbon Glacè, glossy Alfa Red.

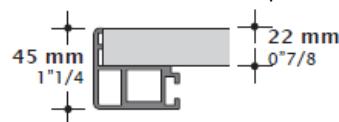
**Luxury Metal:** Chromed, glossy Nickel Black, matt Bronze, matt Brass, matt Antique Brass, Pewter Quarz, Brunished Cobalt.

**Technical details.**

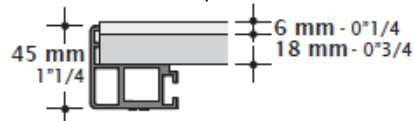


Detail: leg - top profiles connection.

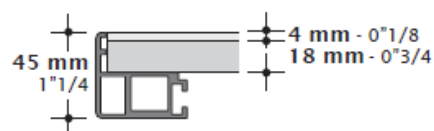
Laminate and Veneer tops.



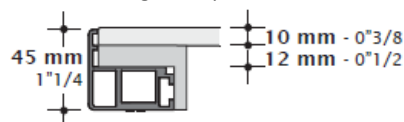
Ceramic tops.



Back-lacquered etched glass tops.

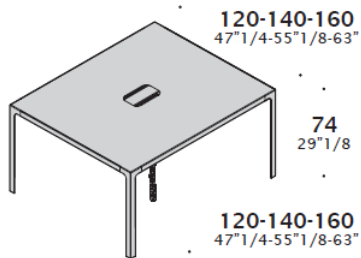


Clear glass tops.

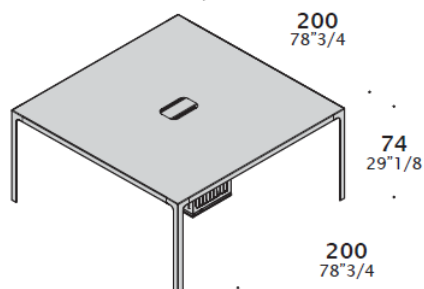


**DIMENSIONS**

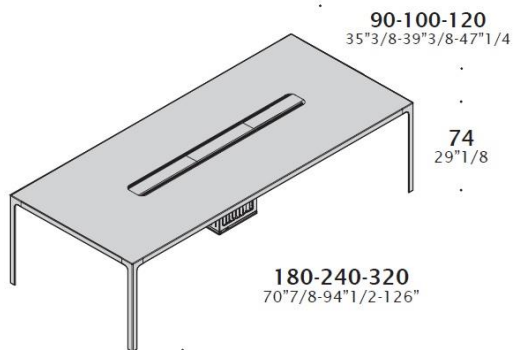
Square meeting table with top access, cable tray and cable management tube.  
Available in all finishes.



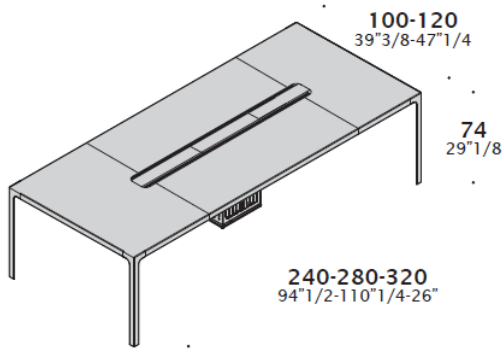
Square meeting table with wiring column for cables management and top access in the same finish as the legs.  
Veneer, Back-lacquered etched glass or ceramic top.



Rectangular meeting table with wiring column.  
Available Laminated, Sablè lacquered or Veneer top.



Square table with wiring column and top access.  
Available back-lacquered etched glass or Ceramic top.



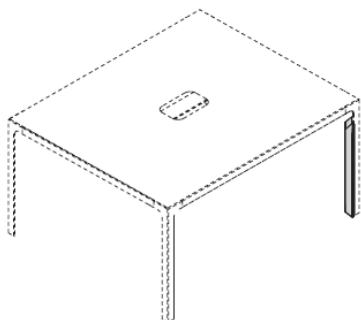
- Options:  
H74 + L180 + D90  
H74 + L240 + D100  
H74 + L320 + D120

- Options:  
H74 + L240 + D100  
H74 + L280 + D120  
H74 + L320 + D120

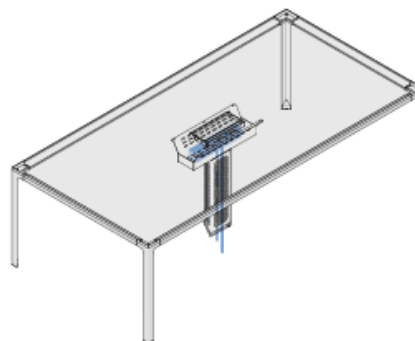
**ELECTRIFICATION**

**Top Access:** not available with clear glass top.

**Wiring column:** in the same finish as the legs.



Clip-on cable management profile for leg.



**Product: SHARING TABLE**

The distinctive element of *More* table is the bearing structure consisting of metal legs connected to the horizontal profiles by a fluid and balanced arch.

22 mm thick tops are framed, flush with structure and available in different finishes and dimensions.

It is an eclectic square or rectangular table which can be used as desk, home table, meeting table, high table, island for coffee compositions, reception, coffee table or console.

*More* desk is available in various heights and dimensions; one of the main features is the easy wire system.

**TECHNICAL FEATURES**

**Top:** tops are 22 mm thick, flush with structure, in sablè lacquered, veneer, etched extra light glass finish or ceramic.

**Top profiles:** Aluminium profiles, connected to the legs, create a structure that is independent from the top. They are in Luxury metal or epoxy powder coated.

**Legs:** legs are in luxury metal or epoxy powder coated, with regulation feet.

**FINISHES**

**Top:**  
**Sablè lacquered,** available in different sample collection colours.

**Veneer:** Magnolia, Colour White Fir, Nuvola stained Oak, Natural Oak 2016, American Walnut, Eucalyptus, Wengè, Zebrano Brown, Ebano.

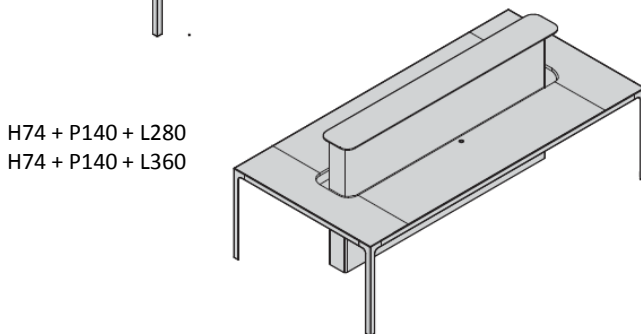
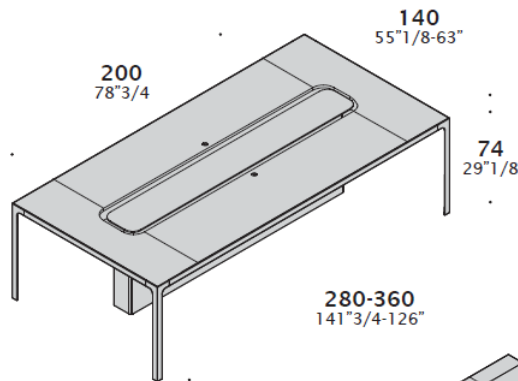
**Back-lacquered etched glass:** White, Silver, Titanio, Brown, Alfa Red.

**Ceramic:** Calacatta Soft, Calacatta Glossy, Statuario Soft, Statuario Glossy, Walks 1.0 White, Walks 1.0 Gray, Le Roche Ecrù, Ardoise Ecrù, Ardoise Noir, Nero Marquinia, Le Roche Grey, Industrial Ivory, Industrial Plomb.

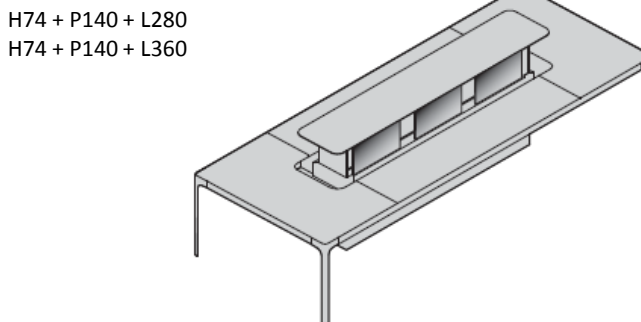
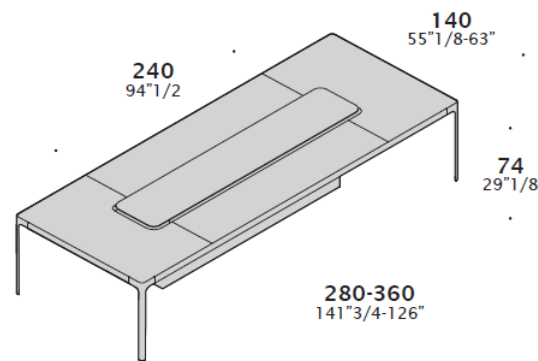
**Legs:**  
**Varnished Aluminium:** glossy UE White, matt or glossy White Snow, matt Titanio, matt Carbon Glacè, glossy Alfa Red.

**Luxury Metal:** Chromed, glossy Nickel Black, matt Bronze, matt Brass, matt Antique Brass, Pewter Quarz, Brunished Cobalt.

**DIMENSIONS**



For both: the frontal panel is upholstered in fabric; the modesty panel is in lacquered finish.



Arrangement for optional network screens set-up up to 22".